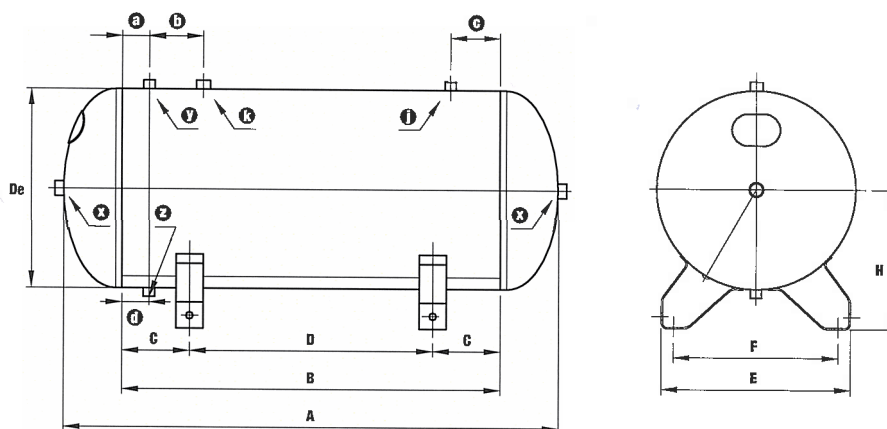


serbatoi **orizzontali** in acciaio inox

caratteristiche

- Materiale: acciaio inossidabile AISI 304/316L
- Fluido contenuto: aria compressa / azoto / aria compressa e acqua
- Trattamento esterno e interno di decapaggio e passivazione
- Su richiesta: trattamento esterno di elettrolucidatura

Collaudo	97/23/EC (PED)
Pressione esercizio	11 Bar
Temperatura esercizio	-55+120°C



CODICE	Direttiva	Capacità nominale	Pressione esercizio	De	A	B	C	D	E	F	H	a	b	c	d	x	y	k	j	z	Peso	
		Lt	Bar	mm	mm	mm	mm	mm	mm	mm	mm	mm	mm	mm	mm	inch	inch	inch	inch	inch	inch	Kg

AISI 304

VES02586	97/23/EC (PED)	10	12	169	506	410	127	156	200	140	170	127	-	127	205	1/2"	-	1/2"	-	1/2"	8
VES02588	97/23/EC (PED)	15	12	196	624	500	172	156	200	140	178	172	-	172	250	1/2"	-	1/2"	-	1/2"	11
VES02590	97/23/EC (PED)	24	11	240	634	492	150	192	240	180	210	100	-	100	246	1/2"	-	1/2"	-	1/2"	13
VES02592	97/23/EC (PED)	50	11	305	784	600	100	400	285	236	200	100	-	100	300	1/2"	3/8"	3/8"	-	1/2"	21
VES02594	97/23/EC (PED)	100	11	370	966	750	100	550	352	306	256	45	80	45	45	1/2"	3/8"		1/2"	3/8"	32
VES02596	97/23/EC (PED)	200	11	446	1364	1100	175	750	440	386	288	50	150	50	50	1/2"	3/8"	3/8"	1/2"	1/2"	55
VES02598	97/23/EC (PED)	270	11	500	1558	1250	175	900	463	409	315	50	130	120	50	1/2"	3/8"	3/8"	1"	1/2"	69
VES02600	97/23/EC (PED)	500	11	600	1864	1500	148	1204	530	470	396	60	155	60	60	1/2"	3/8"	3/8"	1"	1/2"	125
VES02602	97/23/EC (PED)	1000	11	800	2200	1700	345	1015	605	440	500	100	-	-	60	2"	3/4"	1/2"	-	-	377

AISI 316L

VES02587	97/23/EC (PED)	10	12	169	506	410	127	156	200	140	170	127	-	127	205	1/2"	-	1/2"	-	1/2"	8
VES02589	97/23/EC (PED)	15	12	196	624	500	172	156	200	140	178	172	-	172	250	1/2"	-	1/2"	-	1/2"	11
VES02591	97/23/EC (PED)	24	11	240	634	492	150	192	240	180	210	100	-	100	246	1/2"	-	1/2"	-	1/2"	13
VES02593	97/23/EC (PED)	50	11	305	784	600	100	400	285	236	200	100	-	100	300	1/2"	3/8"	3/8"	-	1/2"	21
VES02595	97/23/EC (PED)	100	11	370	966	750	100	550	352	306	256	45	80	45	45	1/2"	3/8"		1/2"	3/8"	32
VES02597	97/23/EC (PED)	200	11	446	1364	1100	175	750	440	386	288	50	150	50	50	1/2"	3/8"	3/8"	1/2"	1/2"	55
VES02599	97/23/EC (PED)	270	11	500	1558	1250	175	900	463	409	315	50	130	120	50	1/2"	3/8"	3/8"	1"	1/2"	69
VES02601	97/23/EC (PED)	500	11	600	1864	1500	148	1204	530	470	396	60	155	60	60	1/2"	3/8"	3/8"	1"	1/2"	125
VES02603	97/23/EC (PED)	1000	11	800	2200	1700	345	1015	605	440	500	100	-	-	60	2"	3/4"	1/2"	-	-	377